

VANLITE V30



624 lumens of clean white light



Up to 7 x brighter than the original OEM light & up to half the power consumption



Fits into existing OEM aperture & connector



Integrated switch



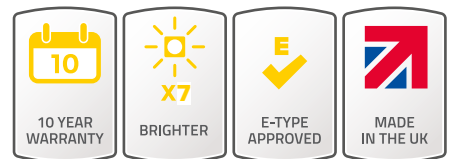
Quick and easy to install - less than 30 seconds



Compatible with a range of Mercedes & VW models



TECHNICAL SPECS OVERLEAF 
NOVEMBER 2017



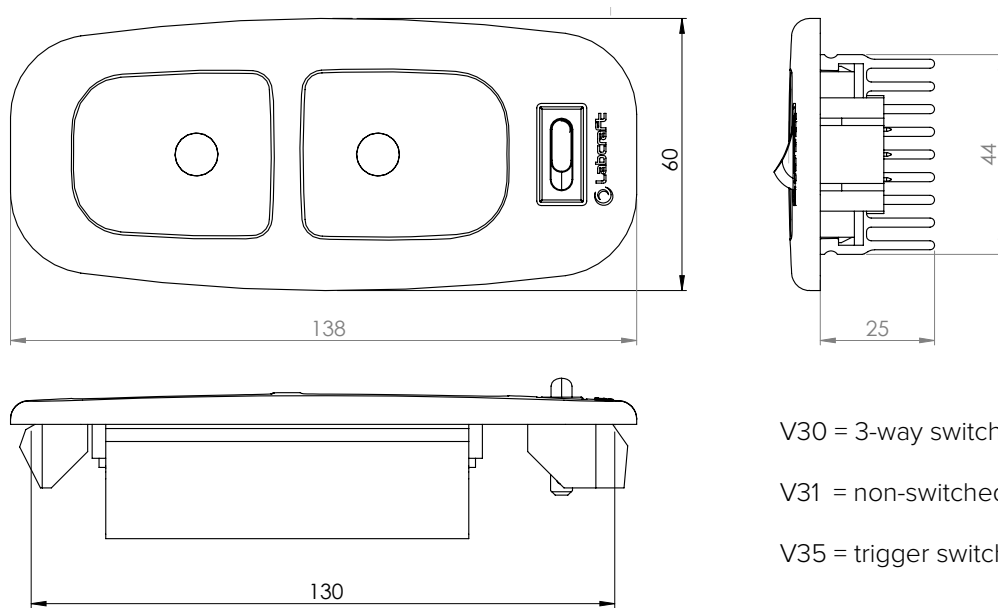
VANLITE V30

Long life, high intensity Cree LEDs - The LED Vanlite V30 uses the latest in LED technology offering optimum performance and extended life, thereby reducing vehicle downtime and increasing productivity. The V30 uses only 6W to produce 624 lumens of clean white light, which is up to 7 times brighter than the original OEM light, whilst using up to half the power consumption, creating a safer, more productive working environment.

Fits into existing OEM aperture & connector - The V30 carries exactly the same fitment specification as the original OEM light to enable quick & easy installation.

Quick & easy to install - The V30 is easy to install without the need for more holes or drilling. Simply pop out the original light, unplug and replace with the V30 - in less than 30 seconds.

10 year warranty - Built with the latest hi-tech heat management and hard-wearing components, the V30 comes with Labcraft's market leading 10 year warranty.



V30 = 3-way switch

V31 = non-switched

V35 = trigger switch

SPECIFICATION		ALL DIMENSIONS HAVE A TOLERANCE OF +/-1mm	
		12V	Compatible Makes & Models
Voltage Range	VDC	10-32	Mercedes: Sprinter VW: Crafter (pre 2017)
Average Current	A	0.45	
Light Output	lm	624	
Watts	W	6W	
Weight	kg	0.14	
Temp. Range	°C	-30 to +40	
IP Rating	IP	IP60	

E & OE

