

11 June 2020

Agreement

Concerning the Adoption of Harmonized Technical United Nations Regulations for Wheeled Vehicles, Equipment and Parts which can be Fitted and/or be Used on Wheeled Vehicles and the Conditions for Reciprocal Recognition of Approvals Granted on the Basis of these United Nations Regulations *

(Revision 3, including the amendments which entered into force on 14 September 2017)

Addendum 22: UN Regulation No. 23

Revision 5

Incorporating all valid text up to:

Supplement 20 to the original version of the Regulation – Date of entry into force: 8 October 2015

Supplement 21 to the original version of the Regulation – Date of entry into force: 10 October 2017

Supplement 22 to the original version of the Regulation – Date of entry into force: 10 February 2018

01 series of amendments – Date of entry into force: 15 October 2019

Uniform provisions concerning the approval of reversing and manoeuvring lamps for power-driven vehicles and their trailers



UNITED NATIONS

* Former title of the Agreement: Agreement Concerning the Adoption of Uniform Conditions of Approval and Reciprocal Recognition of Approval for Motor Vehicle Equipment and Parts, done at Geneva on 20 March 1958 (original version); Agreement concerning the Adoption of Uniform Technical Prescriptions for Wheeled Vehicles, Equipment and Parts which can be Fitted and/or be Used on Wheeled Vehicles and the Conditions for Reciprocal Recognition of Approvals Granted on the Basis of these Prescriptions, done at Geneva on 5 October 1995 (Revision 2).

This document is meant purely as documentation tool. The authentic and legal binding texts are:

- ECE/TRANS/WP.29/2015/17
- ECE/TRANS/WP.29/2017/24
- ECE/TRANS/WP.29/2017/77
- ECE/TRANS/WP.29/2018/96/Rev.1

UN Regulation No. 23

Uniform provisions concerning the approval of reversing and manoeuvring lamps for power-driven vehicles and their trailers

Contents

	<i>Page</i>
Regulation	
Scope	4
1. Definitions.....	4
2. Application for approval	4
3. Markings	5
4. Approval	6
5. General specifications	8
6. Intensity of light emitted	9
7. Test procedures	10
8. Colour of light emitted	11
9. Conformity of production.....	11
10. Penalties for non-conformity of production	12
11. Production definitively discontinued.....	12
12. Names and addresses of the Technical Services responsible for conducting approval tests, and of Type Approval Authorities.....	12
13. Transitional provisions.....	12
Annexes	
1 Communication.....	14
2 Examples of arrangements of approval marks	16
3 Photometric measurements	20
4 Minimum requirements for conformity of production control procedures.....	22
5 Minimum requirements for sampling by an inspector.....	24

Scope

This Regulation applies to:

- (a) Reversing lamps for vehicles of categories M, N, O, and T;¹
- (b) Manoeuvring lamps for vehicles of categories M and N.

1. Definitions

For the purposes of this Regulation,

- 1.1. "*Reversing lamp*" means the lamp of the vehicle designed to illuminate the road to the rear of the vehicle and to warn other road users that the vehicle is reversing or about to reverse.
- 1.2. "*Manoeuvring lamp*" means a lamp used to provide supplementary illumination to the side of the vehicle to assist during slow manoeuvres.
- 1.3. The definitions given in UN Regulation No. 48 and its series of amendments in force at the time of application for type approval shall apply to this Regulation.
- 1.4. "*Reversing/manoeuvring lamps of different types*" means lamps which differ in such essential respects as:
 - (a) The trade name or mark:
 - (i) Lamps bearing the same trade name or mark but produced by different manufacturers shall be considered as being of different types;
 - (ii) Lamps produced by the same manufacturer differing only by the trade name or mark shall be considered as being of the same type.
 - (b) The characteristics of the optical system, (levels of intensity, light distribution angles, category of light source, light source module, etc.).

A change of the colour of the light source or the colour of any filter does not constitute a change of type.

- 1.5. References made in this Regulation to standard (étalon) filament light source(s) and to UN Regulation No. 37 shall refer to UN Regulation No. 37 and its series of amendments in force at the time of application for type approval.
References made in this Regulation to standard (étalon) LED light source(s) and to UN Regulation No. 128 shall refer to UN Regulation No. 128 and its series of amendments in force at the time of application for type approval.

2. Application for approval

- 2.1. The application for approval shall be submitted by the holder of the trade name or mark, or by his duly accredited representative.
At the choice of the applicant, it will specify that the device may be installed on the vehicle with different inclinations of the reference axis in respect to the vehicle reference planes and to the ground or rotate around its reference axis; these different conditions of installation shall be indicated in the communication form.

¹ As defined in the Consolidated Resolution on the Construction of Vehicles (R.E.3.) , document ECE/TRANS/WP.29/78/Rev.6, para. 2. - www.unece.org/trans/main/wp29/wp29wgs/wp29gen/wp29resolutions.html

- 2.2. For each type of reversing lamp or manoeuvring lamp, the application shall be accompanied by:
- 2.2.1. Drawings, in triplicate, in sufficient detail to permit identification of the type of the reversing lamp or a manoeuvring lamp and showing in what geometrical position(s) the reversing lamp may be mounted on the vehicle; the axis of observation to be taken as the axis of reference in the tests (horizontal angle $H = 0$, vertical angle $V = 0$); and the point to be taken as the centre of reference in the said tests. The drawings must show the position intended for the approval number and the additional symbol in relation to the circle of the approval mark.
- In addition the mounting height and the orientation of the reference axis of the manoeuvring lamp(s) shall be indicated in the drawing in relation to the ground, the vertical and the longitudinal axis.
- 2.2.2. A brief technical description stating in particular, with the exception of lamps with non-replaceable light sources:
- (a) The category or categories of filament light source(s) prescribed; this filament light source category shall be one of those contained in UN Regulation No. 37 and its series of amendments in force at the time of application for type approval; and/or
 - (b) The category or categories of LED light source(s) prescribed; this LED light source category shall be one of those contained in UN Regulation No. 128 and its series of amendments in force at the time of application for type approval; and/or
 - (c) The light source module specific identification code.
- 2.2.3. Two samples. If the devices are not identical but are symmetrical and suitable for mounting one on the left and one on the right side of the vehicle, the two samples submitted may be identical and be suitable for mounting only on the right or only on the left side of the vehicle.
- 2.2.4. In the case of a type of lamp differing only by the trade name or mark from a type that has already been approved it shall be sufficient to submit:
- 2.2.4.1. A declaration by the lamp manufacturer that the type submitted is identical (except in the trade name or mark) with and has been produced by the same manufacturer as, the type already approved, the latter being identified by its approval code;
- 2.2.4.2. Two samples bearing the new trade name or mark or equivalent documentation.
- 2.2.5. In the case of a non-replaceable filament light source(s) or light source module(s) equipped with non-replaceable filament light source(s): the documents according to paragraph 5.5. of this Regulation.

3. Markings

Lamps submitted for approval shall:

- 3.1. Bear the trade name or mark of the applicant; this marking shall be clearly legible and be indelible;
- 3.2. With the exception of lamps with non-replaceable light sources bear a clearly legible and indelible marking indicating:
- (a) The category or categories of light source(s) prescribed; and/or
 - (b) The light source module specific identification code.

- 3.3. If necessary, in order to prevent any mistake in mounting the reversing lamp on the vehicle, bear the word "TOP" marked horizontally on the uppermost part of the illuminating surface;
- 3.4. Provide adequate space for the approval mark and for the additional symbols prescribed in paragraph 4.3. below; the said space shall be shown in the drawing referred to in paragraph 2.2.1. above;
- 3.5. In the case of lamps with non-replaceable light sources or light source module(s), bear the marking of the rated voltage or range of voltage;
- 3.6. In the case of lamps with light source module(s), the light source module(s) shall bear:
 - 3.6.1. The trade name or mark of the applicant; this marking must be clearly legible and indelible;
 - 3.6.2. The specific identification code of the module; this marking must be clearly legible and indelible. This specific identification code shall comprise the starting letters "MD" for "MODULE" followed by the approval marking without the circle as prescribed in paragraph 4.3.1.1. below and, in the case of several non-identical light source modules are used, followed by additional symbols or characters; this specific identification code shall be shown in the drawings mentioned in paragraph 2.2.1. above.

The approval marking does not have to be the same as the one on the lamp in which the module is used, but both markings shall be from the same applicant.
 - 3.6.3. The marking of the rated voltage or range of voltage.

4. Approval

- 4.1. If the two samples of a type of reversing lamp or a manoeuvring lamp meet the requirements of this Regulation, approval shall be granted.
- 4.2. An approval number shall be assigned to each type approved. The same Contracting Party shall not assign the same number to another type of reversing lamp or manoeuvring lamp covered by this Regulation. Notice of approval or of extension or refusal or withdrawal of approval or production definitively discontinued of a type of reversing lamp pursuant to this Regulation shall be communicated to the Parties to the 1958 Agreement which apply this Regulation by means of a form conforming to the model in Annex 1 to this Regulation.
- 4.3. Every reversing lamp or manoeuvring lamp conforming to a type approved under this Regulation shall bear in the space referred to in paragraph 3.4. above, in addition the mark and the particulars prescribed above in paragraphs 3.1., 3.2. and 3.3. or 3.5. respectively:
 - 4.3.1. An international approval mark consisting of:
 - 4.3.1.1. A circle surrounding the letter "E" followed by the distinguishing number of the country which has granted the approval;² and
 - 4.3.1.2. An approval number;
 - 4.3.2. An additional symbol consisting of letters A and R, mingled as shown in Annex 2 to this Regulation.

² The distinguishing numbers of the Contracting Parties to the 1958 Agreement are reproduced in Annex 3 to the Consolidated Resolution on the Construction of Vehicles (R.E.3), document ECE/TRANS/WP.29/78/Rev.6 - www.unece.org/trans/main/wp29/wgs/wp29gen/wp29resolutions.html

- On devices meeting the requirements of this Regulation in respect of the manoeuvring lamps, an additional symbol consisting of letters M and L, arranged as shown in Annex 2 to this Regulation.
- 4.3.3. The first two digits of the approval number which indicate the most recent series of amendments to this Regulation may be placed in the vicinity of the additional symbols "AR" or "ML".
- 4.3.4. On reversing lamps of which the visibility angles are asymmetrical with regard to the reference axis in a horizontal direction, an arrow pointing towards the side on which the photometric specifications are met up to an angle of 45° H.
- 4.4. Independent lamps
- If different types of lamps complying with the requirements of several Regulations use the same outer lens having the same or different colour, a single international approval mark may be affixed, consisting of a circle surrounding the letter "E" followed by the distinguishing number of the country which has granted the approval, and an approval number. This approval mark may be located anywhere on the lamp, provided that:
- 4.4.1. It is visible after their installation.
- 4.4.2. The identification symbol for each lamp appropriate to each Regulation under which approval has been granted, together with the corresponding series of amendments incorporating the most recent major technical amendments to the Regulation at the time of issue of the approval and if necessary, the required arrow shall be marked.
- 4.4.3. The size of the components of a single approval mark shall not be less than the minimum size required for the smallest of the individual marks under which approval has been granted.
- 4.4.4. The main body of the lamp shall include the space described in paragraph 3.4. above and shall bear the approval mark of the actual function(s).
- 4.4.5. Model E in Annex 2 to this Regulation gives examples of an approval mark with the above-mentioned additional symbols.
- 4.5. When two or more lamps are part of the same assembly of grouped, combined or reciprocally incorporated lamps, approval is granted only if each of these lamps satisfies the requirements of this Regulation or of another Regulation. Lamps not satisfying any one of those Regulations shall not be part of such an assembly of grouped, combined or reciprocally incorporated lamps.
- 4.5.1. Where grouped, combined or reciprocally incorporated lamps comply with the requirements of several Regulations, a single international approval mark may be applied, consisting of a circle surrounding the letter "E" followed by the distinguishing number of the country which has granted the approval, an approval number and, if necessary, the required arrow. This approval mark may be placed anywhere on the grouped, combined or reciprocally incorporated lamps provided that:
- 4.5.1.1. It is visible after their installation;
- 4.5.1.2. No part of the grouped, combined or reciprocally incorporated lamps that transmits light can be removed without at the same time removing the approval mark.
- 4.5.2. The identification symbol for each lamp appropriate to each Regulation under which approval has been granted, together with the corresponding series of amendments incorporating the most recent major technical amendments to the Regulation at the time of issue of the approval, shall be marked:
- 4.5.2.1. Either on the appropriate light-emitting surface,

- 4.5.2.2. Or in a group, in such a way that each lamp of the grouped, combined or reciprocally incorporated lamps may be clearly identified (see three possible examples in Annex 2).
- 4.5.3. The size of the components of a single approval mark shall not be less than the minimum size required for the smallest of the individual marks by a Regulation under which approval has been granted.
- 4.5.4. An approval number shall be assigned to each type approved. The same Contracting Party may not assign the same number to another type of grouped, combined or reciprocally incorporated lamps covered by this Regulation.
- 4.6. The mark and symbol referred to in paragraphs 4.3.1. and 4.3.2. shall be indelible and shall be clearly legible even when the reversing lamp is mounted on the vehicle:
- In the case of a manoeuvring lamp:
- (a) A space large enough to accommodate the approval mark on the lens or on its protective housing, which shall be legible when the device has been mounted on the vehicle, shall be provided. Other components of the device shall bear the name of the manufacturer and a means of identification. In case of limited space for the approval mark(s) it shall be placed on a part of the vehicle which is permanently connected to the manoeuvring lamp or on the vehicle data plate;
- (b) The space for the approval mark shall be shown on the drawings referred to paragraph 2.2. above or indicated in the application for approval.
- 4.7. Annex 2 gives examples of approval marks for a single lamp (Figure 1) and for grouped, combined or reciprocally incorporated lamps (Figure 2) with all the additional symbols referred to above. The letters A and R may be mingled.

5. General specifications

The requirements contained in sections 5. "General specifications" and 6. "Individual specifications" and in the Annexes referenced in the said sections of UN Regulations Nos. 48 or 86, and their series of amendments in force at the time of application for the lamp type approval shall apply to this Regulation.

The requirements pertinent to each lamp and to the category/ies of vehicle on which the lamp is intended to be installed shall be applied, where its verification at the moment of lamp type approval is feasible.

- 5.1. Each sample shall conform to the specifications set forth in the paragraphs below.
- 5.2. Reversing lamps shall be so designed and constructed that in normal use, despite the vibration to which they may then be subjected, they continue to function satisfactorily and retain the characteristics prescribed by this Regulation.
- 5.3. In the case of light source modules, it shall be checked that:
- 5.3.1. The design of the light source module(s) shall be such as:
- (a) That each light source module can only be fitted in no other position than the designated and correct one and can only be removed with the use of tool(s);
- (b) If there are more than one light source module used in the housing for a device, light source modules having different characteristics cannot be interchanged within the same lamp housing.

- 5.3.2. The light source module(s) shall be tamperproof.
- 5.3.3. A light source module shall be so designed that regardless of the use of tool(s), it shall not be mechanically interchangeable with any replaceable approved light source.
- 5.4. In the case of replaceable light source(s):
 - 5.4.1. The reversing lamp or manoeuvring lamp shall only be equipped with light source(s) approved according to UN Regulation No. 37 and/or UN Regulation No. 128, provided that no restriction on the use is made in UN Regulation No. 37 and its series of amendments in force at the time of application for type approval or in UN Regulation No. 128 and its series of amendments in force at the time of application for type approval.
 - 5.4.2. The design of the device shall be such that the light source can be fixed in no other position but the correct one.
 - 5.4.3. The light source holder shall conform to the characteristics given in IEC Publication 60061. The holder data sheet relevant to the category of light source used, applies.
- 5.5. In the case of non-replaceable filament light source(s) or light source module(s) equipped with non-replaceable filament light source(s), the applicant shall annex to the type approval documentation a report (by the light source manufacturer indicated in the type approval documentation), acceptable to the Type Approval Authority, that demonstrates compliance of these non-replaceable filament light source(s) with the requirements as specified in paragraph 4.11. of IEC 60809, Edition 3.

6. Intensity of light emitted

- 6.1. Intensity of the light specifications for reversing lamps.
 - 6.1.1. The intensity of the light emitted by each of the two samples shall be not less than the minima and not greater than the maxima specified below and shall be measured in relation to the axis of reference in the directions shown below (expressed in degrees of angle with the axis of reference).
 - 6.1.2. The intensity along the axis of reference shall be not less than 80 candelas.
 - 6.1.3. The intensity of the light emitted in all directions in which the light can be observed shall not exceed:
 - 300 candelas in directions in or above the horizontal plane;
 - and, in directions below the horizontal plane:
 - 600 candelas between h-h and 5° D and
 - 8,000 candelas below 5° D.
 - 6.1.4. In every other direction of measurement shown in Annex 3 to this Regulation, the luminous intensity shall be not less than the minima specified in that annex.

However, in the case where the reversing lamp is intended to be installed on a vehicle exclusively in a pair of devices, the photometric intensity may be verified only up to an angle of 30° inwards where a photometric value of at least 25 cd shall be satisfied.

This condition shall be clearly explained in the application for approval and relating documents (see paragraph 2. of this Regulation).

Moreover, in the case where the type approval will be granted applying the condition above, a statement in paragraph 11. "Comments" of the communication form (see Annex 1 to this Regulation), will inform that the device shall only be installed in a pair.

- 6.1.5. In the case of a single lamp containing more than one light source when all light sources are illuminated the maximum intensities shall not be exceeded.
- 6.1.6. Failure of a single lamp containing more than one light source:
- 6.1.6.1. In a single lamp containing more than one light source, a group of light sources, wired so that the failure of any one of them causes all of them to stop emitting light, shall be considered to be one light source.
- 6.1.6.2. In case of failure of any one light source in a single lamp containing more than one light source, at least one of the following provisions shall apply:
- (a) The light intensity complies with the minimum intensity required in the table of standard light distribution in space as shown in Annex 3; or
 - (b) A signal for activation of a tell-tale indicating failure, as indicated in paragraph 6.4.8. of UN Regulation No. 48, is produced, provided that the luminous intensity in the axis of reference is at least 50 per cent of the minimum intensity required. In this case a note in the communication form states that the lamp is only for use on a vehicle fitted with a tell-tale indicating failure.
- 6.2. Intensity of the light specifications for manoeuvring lamps
- 6.2.1. The intensity shall not exceed 500 candelas in all directions in which the light can be observed, when installed in any mounting position specified by the applicant.
- 6.2.2. The device must be so designed that the light emitted directly towards the side, the front or the rear of the vehicle does not exceed 0.5 cd within the angular field as defined below.
- (a) The vertical minimum angle φ_{\min} (in degree) is:
$$\varphi_{\min} = \arctan (1\text{-mounting height}/10); \text{ where } h \text{ is mounting height in m}$$
 - (b) The vertical maximum angle φ_{\max} (in degree) is:
$$\varphi_{\max} = \varphi_{\min} + 11,3.$$
- The measurement shall be limited to a horizontal angle ranging from +90° to -90° with respect to the line which cuts the reference axis and which is perpendicular to the vertical longitudinal plane of the vehicle.
- The measurement distance shall be in minimum 3 m.

7. Test procedures

- 7.1. All measurements, photometric and colorimetric, shall be made:
- 7.1.1. In the case of a lamp with replaceable light source, if not supplied by an electronic light source control gear, with an uncolored standard light source of the category prescribed for the device, supplied with the voltage:
- (a) In the case of filament light source(s), that is necessary to produce the reference luminous flux required for that category of filament light source;
 - (b) In the case of LED light sources of 6.75 V, 13.5 V or 28.0 V; the luminous flux value produced shall be corrected. The correction factor is the ratio between the objective luminous flux and the mean value of the luminous flux found at the voltage applied.
- 7.1.2. In the case of a lamp equipped with non-replaceable light sources (filament light sources and other), at 6.75 V, 13.5 V or 28.0 V respectively.

- 7.1.3. In the case of a system that uses an electronic light source control gear, being part of the lamp³ applying at the input terminals of the lamp the voltage declared by the manufacturer or, if not indicated, 6.75 V, 13.5 V or 28.0 V respectively.
- 7.1.4. In the case of a system that uses an electronic light source control gear not being part of the lamp the voltage declared by the manufacturer shall be applied to the input terminals of the lamp.
- 7.2. The Technical Service shall require from the manufacturer the light source control gear needed to supply the light source and the applicable functions.
- 7.3. The voltage to be applied to the lamp shall be indicated in the communication form, specified in Annex 1 of this Regulation.
- 7.4. For any lamp, except those equipped with filament light sources, the luminous intensities measured after one minute and after 10 minutes of operation, shall comply with the minimum and maximum requirements. The luminous intensity distribution after one and after 10 minutes of operation shall be calculated from the luminous intensity distribution measured after photometric stability has occurred by applying at each test point the ratio of luminous intensities measured at HV:
- (a) After one minute;
 - (b) After 10 minutes; and
 - (c) After photometric stability has occurred.
- "Photometric stability has occurred"* means the variation of the luminous intensity for the specified test point is less than 3 per cent within any 15 minute period.
- 7.5. The limits of the apparent surface in the direction of the reference axis of a light-signalling device shall be determined.

8. Colour of light emitted

In the case of reversing lamps the colour of the light emitted inside the field of the light distribution grid defined at paragraph 2. of Annex 3 shall be white.

In the case of manoeuvring lamps the colour of the light emitted inside the field of the whole light distribution shall be white.

To check these colorimetric characteristics, the test procedure described in paragraph 7. of this Regulation shall be applied. Outside this field no sharp variation of colour shall be observed.

However, for lamps equipped with non-replaceable light sources (filament light sources and other), the colorimetric characteristics should be verified with the light sources present in the lamp, in accordance with relevant subparagraphs of paragraph 7.1. of this Regulation.

9. Conformity of production

The conformity of production procedures shall comply with those set out in the Agreement, Schedule 1 (E/ECE/TRANS/505/Rev.3), with the following requirements:

³ For the purpose of this Regulation "being part of the lamp" means to be physically included in the lamp body or to be external, separated or not, from the lamp body but supplied by the lamp manufacturer as part of the lamp system.

- 9.1. Lamps shall be so manufactured as to conform to the type approved under this Regulation.
- The compliance with the requirements set forth in paragraphs 6. and 8. above shall be verified as follows:
- 9.1.1. The minimum requirements for conformity of production control procedures set forth in Annex 4 to this Regulation shall be complied with.
- 9.1.2. The minimum requirements for sampling by an inspector set forth in Annex 5 to this Regulation shall be complied with.
- 9.2. The Type Approval Authority which has granted type approval may at any time verify the conformity control methods applied in each production facility. The normal frequency of these verifications shall be once every two years.
- 9.3. In the case of non-replaceable filament light source(s) or light source module(s) equipped with non-replaceable filament light sources, a report (by the light source manufacturer indicated in the type approval documentation) shall demonstrate compliance of these non-replaceable filament light source(s) with lifetime requirements and, in the case of colour coated filament light sources, also with colour endurance requirements, as specified in paragraph 4.11. of IEC 60809, Edition 3.

10. Penalties for non-conformity of production

- 10.1. The approval granted in respect of a type of reversing lamp or manoeuvring lamps pursuant to this Regulation may be withdrawn if the foregoing requirements are not complied with or if the reversing lamp or manoeuvring lamps bearing the mark referred to in paragraphs 4.3.1. and 4.3.2. does not conform to the type approved.
- 10.2. If a Contracting Party to the Agreement which applies this Regulation withdraws an approval it has previously granted, it shall forthwith so notify the other Contracting Parties applying this Regulation, by means of a communication form conforming to the model in Annex 1 to this Regulation.

11. Production definitively discontinued

If the holder of the approval completely ceases to manufacture a type of reversing lamp or manoeuvring lamps approved in accordance with this Regulation, he shall so inform the Type Approval Authority which granted the approval. Upon receiving the relevant communication, that Type Approval Authority shall inform thereof the other Parties to the 1958 Agreement which apply this Regulation by means of a communication form conforming to the model in Annex 1 to this Regulation.

12. Names and addresses of the Technical Services responsible for conducting approval tests, and of Type Approval Authorities

The Contracting Parties to the 1958 Agreement which apply this Regulation shall communicate to the United Nations secretariat the names and addresses of the Technical Services responsible for conducting approval tests and of the Type Approval Authorities which grant approval and to which forms certifying approval or extension or refusal or withdrawal of approval, or production definitively discontinued issued in other countries, are to be sent.

13. Transitional provisions⁴

- 13.1. As from 24 months after the official date of entry into force of UN Regulation No. 148, Contracting Parties applying this Regulation shall cease to grant approvals to this Regulation.
- 13.2. Contracting Parties applying this Regulation shall not refuse to grant extensions of approval to this and any previous series of amendments of this Regulation.
- 13.3. Contracting Parties applying this Regulation shall continue to grant approvals for devices on basis of this and any previous series of amendments to this Regulation, provided that the devices are intended as replacements for fitting to vehicles in use.
- 13.4. Contracting Parties applying this Regulation shall continue to allow fitting or use on a vehicle in use of a device approved to this Regulation as amended by any previous series of amendments, provided that the device is intended for replacement.

⁴ The 01 series of amendments does not require changes in the approval number (TRANS/WP.29/815, para. 82).

Annex 1

Communication

(Maximum format: A4 (210 x 297 mm))



issued by: Name of administration:

.....
.....
.....

concerning:² Approval granted
 Approval extended
 Approval refused
 Approval withdrawn
 Production definitively discontinued

of a type of reversing lamp pursuant to UN Regulation No. 23

Approval No..... Extension No.....

of a type of manoeuvring lamp pursuant to UN Regulation No. 23

Approval No..... Extension No.....

1. Trade name or mark of the device:
2. Manufacturer's name for the type of device:
3. Manufacturer's name and address:
.....
4. If applicable, name and address of the manufacturer's representative:
.....
5. Submitted for approval on:
6. Technical Service responsible for conducting approval tests:
.....
7. Date of report issued by that Service:
8. Number of report issued by that Service:
9. Concise description:
 Number, category and kind of light source(s):
 Voltage and wattage:
 Application of an electronic light source control gear:
 (a) Being part of the lamp: yes/no²

¹ Distinguishing number of the country which has granted/refused/withdrawn approval (see approval provisions in the Regulation).

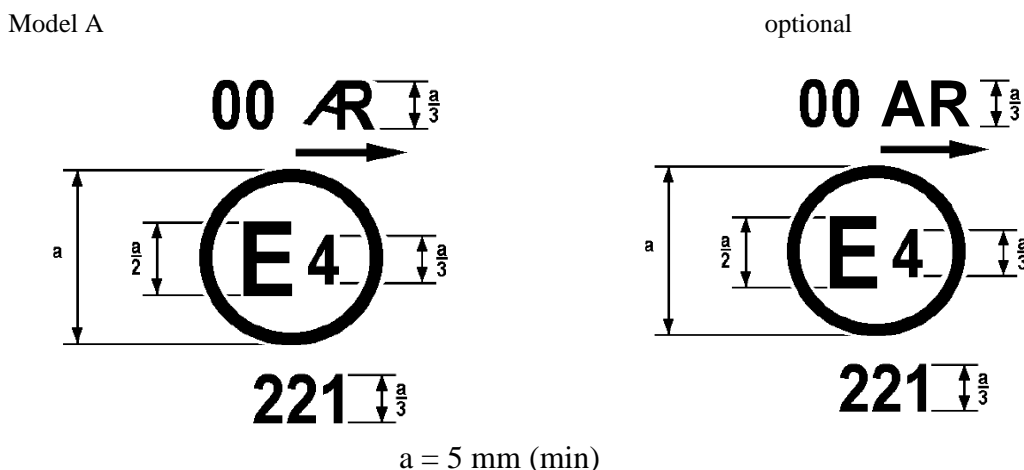
² Strike out which does not apply.

-
- (b) Being not part of the lamp: yes/no²
- Input voltage(s) supplied by an electronic light source control gear:
- Electronic light source control gear manufacturer and identification number (when the light source control gear is part of the lamp but is not included into the lamp body): .
- Light source module: yes/no²
- Light source module specific identification code:
- Geometrical conditions of installation and relating variations; if any:
- For a type of manoeuvring lamp pursuant to UN Regulation No. 23, paragraph 6.2.2.
Maximum mounting height:
- The lamp is only for use on a vehicle fitted with a tell-tale indicating failure: yes/no²
10. Position of the approval mark:
11. Comments:
In the case of a reversing lamp, this device shall be installed on a vehicle only as part of a pair of devices: yes/no².....
12. Reason(s) for extension (if applicable):
13. Approval granted/extended/refused/withdrawn²
14. Place:
15. Date:
16. Signature:
17. The list of documents deposited with the Type Approval Authority which has granted approval is annexed to this communication and may be obtained on request.

Annex 2

Examples of arrangements of approval marks

Figure 1
 Marking for single lamps



The device bearing the approval mark shown above is a reversing lamp approved in the Netherlands (E 4) pursuant to UN Regulation No. 23 under approval number 221. The approval number indicates that the approval was granted in accordance with the requirements of UN Regulation No. 23 in its original form or as amended by Supplements 1 and/or 2, as the case may be.⁷ The arrow indicates the side on which the required photometric specifications are met up to an angle of 45° H.

Note: The approval number and additional symbol shall be placed close to the circle and either above or below the letter "E" or to the left or right of that letter. The digits of the approval number and of the production serial number shall be on the same side of the letter "E" and face the same direction. The use of Roman numerals as approval numbers should be avoided so as to prevent any confusion with other symbols.

Figure 2
 Simplified marking for grouped, combined or reciprocally incorporated lamps


(The vertical and horizontal lines schematise the shape of the light-signalling device. These are not part of the approval mark)

Model B


	3333 	IA 02	$\frac{2a}{01}$	$\frac{R}{01}$
	F 00	AR 00	S2 01	

⁷ The 01 series of amendments does not require changes in the approval number (TRANS/WP.29/815, para. 82).

Model C

		IA 2a R 02 01 01 F AR S2 00 00 01 3333	
			

Model D

IA 2a R 02 01 01 F AR S2 00 00 01 3333 			

Note: The three examples of approval marks, models B, C and D represent three possible variables for the marking of a lighting device when two or more lamps are part of the same assembly of grouped, combined or reciprocally incorporated lamps. This approval mark shows that the device was approved in the Netherlands (E 4) under approval number 3333 and comprising:

A reflex-retro reflector of class IA approved in accordance with the 02 series of amendments to UN Regulation No. 3;

A rear direction indicator lamp of category 2a approved in accordance with the 01 series of amendments to UN Regulation No. 6;


A red rear position lamp (R) approved in accordance with the 02 series of amendments to UN Regulation No. 7;

A rear fog lamp (F) approved in accordance with UN Regulation No. 38 in its original form;

A reversing lamp (AR) approved in accordance with UN Regulation No. 23 in its original form;⁷

A stop lamp with two levels of illumination (S2) approved in accordance with the 02 series of amendments to UN Regulation No. 7.

Model E
Marking of independent lamps

F 2a AR R S1
00 01 00 02 02

1432

The above example corresponds to the marking of a lens intended to be used in different types of lamps. The approval marks indicate that the device was approved in Spain (E 9) under approval number 1432 and comprises:

A rear fog lamp (F) approved in accordance with the UN Regulation No. 38 in its original version,

A rear direction indicator lamp of category 2a approved in accordance with the 01 series of amendments to UN Regulation No. 6,

A reversing lamp (AR) approved in accordance with UN Regulation No. 23 in its original version,⁷

A red rear position (side) lamp (R) approved in accordance with the 02 series of amendments to UN Regulation No. 7,

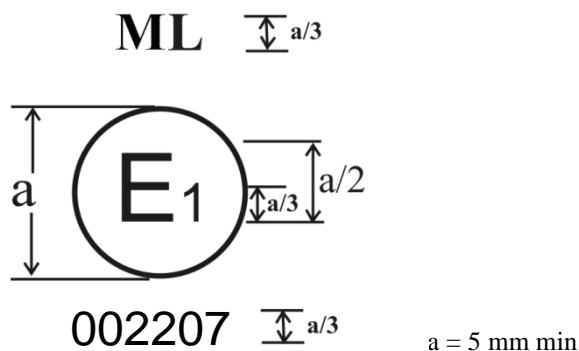
A stop-lamp with one level of illumination (S1) approved in accordance with the 02 series of amendments to UN Regulation No. 7.

Figure 3
Light source modules

MD E3 17325

The light source module bearing the identification code shown above has been approved together with a lamp approved in Italy (E 3) under approval number 17325.

Figure 4
Marking for a manoeuvring lamps



The device bearing the approval mark shown above is a manoeuvring lamp approved in Germany (E 1) pursuant to UN Regulation No. 23 under approval number 2207.

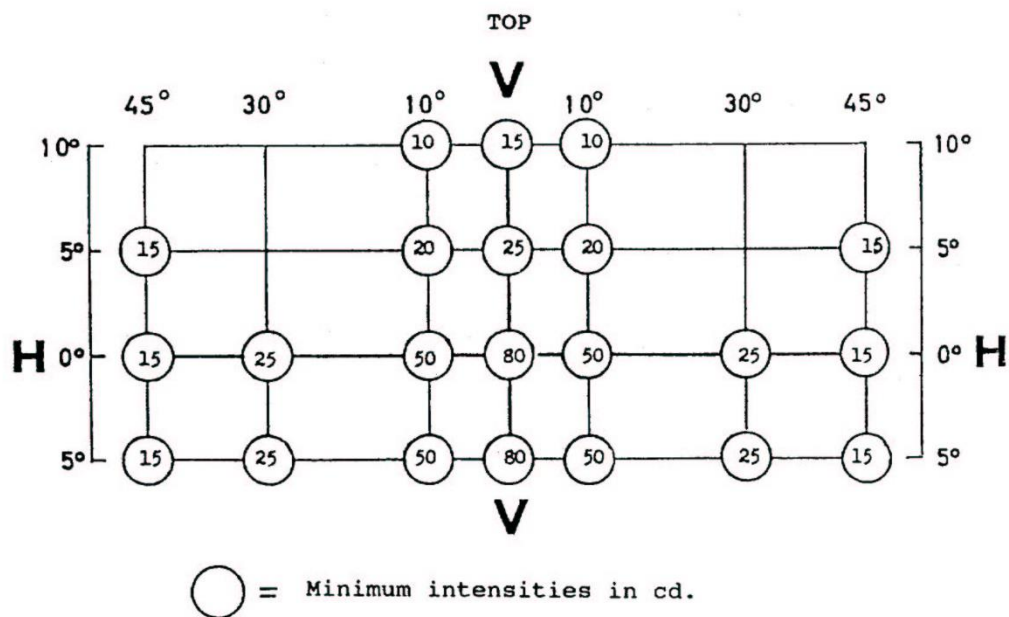
The approval number indicates that the approval was granted in accordance with the requirements of UN Regulation No. 23 in its original form.⁷

Note: The approval number and additional symbol shall be placed close to the circle and either above or below the letter "E" or to the left or right of that letter. The digits of the approval number and of the production serial number shall be on the same side of the letter "E" and face the same direction. The use of Roman numerals as approval numbers should be avoided so as to prevent any confusion with other symbols.

Annex 3

Photometric measurements

1. Measurement methods general
 - 1.1. When photometric measurements are taken, stray reflections shall be avoided by appropriate masking.
 - 1.2. In the event that the results of measurements are challenged, measurements shall be taken in such a way as to meet the following requirements:
 - 1.2.1. The distance of measurement shall be such that the law of the inverse of the square of the distance is applicable;
 - 1.2.2. The measuring equipment shall be such that the angle subtended by the receiver from the reference centre of the light is between $10'$ and 1° ;
 - 1.2.3. The intensity requirement for a particular direction of observation shall be satisfied if the required intensity is obtained in a direction deviating by not more than one quarter of a degree from the direction of observation.
 - 1.3. In the case where the device may be installed on the vehicle in more than one or in a field of different positions the photometric measurements shall be repeated for each position or for the extreme positions in the field of reference axis specified by the manufacturer.
2. For reversing lamps the measuring points expressed in degrees of angle with the axis of reference and values of the minimum intensities of the light emitted.



- 2.1. The directions $H = 0^\circ$ and $V = 0^\circ$ correspond to the axis of reference. On the vehicle they are horizontal, parallel to the median longitudinal plane of the vehicle and oriented in the required direction of visibility. They pass through the centre of reference. The values shown in the table give, for the various directions of measurement, the minimum intensities in cd.
- 2.2. If visual examination of a lamp appears to reveal substantial local variations of intensity, a check shall be made to ensure that no intensity measured between two of the directions of measurement referred to above is below 50 per cent of

the lower minimum intensity of the two prescribed for these directions of measurement.

3. Photometric measurement of lamps equipped with several light sources

The photometric performance shall be checked:

3.1. For non-replaceable light sources (filament light sources and other):

With the light sources present in the lamp, in accordance with relevant subparagraphs of paragraph 7.1. of this Regulation.

3.2. For replaceable light source(s):

When equipped with light source(s) at 6.75 V, 13.5 V or 28.0 V, the luminous intensity values produced shall be corrected. For filament light sources the correction factor is the ratio between the reference luminous flux and the mean value of the luminous flux found at the voltage applied (6.75 V, 13.5 V or 28.0 V).

For LED light sources the correction factor is the ratio between the objective luminous flux and the mean value of the luminous flux found at the voltage applied (6.75 V, 13.5 V or 28.0 V).

The actual luminous fluxes of each filament light source and/or LED light source used shall not deviate more than 5 per cent from the mean value.

Alternatively and in case of filament light sources only, a standard filament light source may be used in turn, in each of the individual positions, operated at its reference flux, the individual measurements in each position being added together.

Annex 4

Minimum requirements for conformity of production control procedures

1. General
 - 1.1. The conformity requirements shall be considered satisfied from a mechanical and geometric standpoint, if the differences do not exceed inevitable manufacturing deviations within the requirements of this Regulation.
 - 1.2. With respect to photometric performances, the conformity of mass-produced lamps shall not be contested if, when testing photometric performances of any lamp chosen at random according to paragraph 7. of this Regulation, respectively:
 - 1.2.1. No measured value deviates unfavourably by more than 20 per cent from the values prescribed in this Regulation.
 - 1.2.2. If, in the case of a lamp equipped with a replaceable light source and if results of the test described above do not meet the requirements, tests on lamps shall be repeated using another standard light source.
 - 1.3. The chromaticity coordinates shall be complied when tested under conditions of paragraph 7. of this Regulation.
 - 1.4. In the case of non-replaceable filament light source(s) or light source module(s) equipped with non-replaceable filament light sources, at any conformity of production check:
 - 1.4.1. The holder of the approval mark shall demonstrate the use in normal production and show the identification of the non-replaceable filament light source(s) as indicated in the type approval documentation;
 - 1.4.2. In the case where doubt exists in respect to compliance of the non-replaceable filament light source(s) with lifetime requirements and/or, in the case of colour coated filament light sources, with colour endurance requirements, as specified in paragraph 4.11 of IEC 60809, Edition 3, conformity shall be checked (by the light source manufacturer indicated in the type approval documentation) as specified in paragraph 4.11 of IEC 60809, Edition 3.
2. Minimum requirements for verification of conformity by the manufacturer

For each type of lamp the holder of the approval mark shall carry out at least the following tests, at appropriate intervals. The tests shall be carried out in accordance with the provisions of this Regulation.

If any sampling shows non-conformity with regard to the type of test concerned, further samples shall be taken and tested. The manufacturer shall take steps to ensure the conformity of the production concerned.

 - 2.1. Nature of tests

Tests of conformity in this Regulation shall cover the photometric and colorimetric characteristics.
 - 2.2. Methods used in tests
 - 2.2.1. Tests shall generally be carried out in accordance with the methods set out in this Regulation.
 - 2.2.2. In any test of conformity carried out by the manufacturer, equivalent methods may be used with the consent of the competent Type Approval Authority responsible for approval tests. The manufacturer is responsible for proving that the applied methods are equivalent to those laid down in this Regulation.

- 2.2.3. The application of paragraphs 2.2.1. and 2.2.2. above requires regular calibration of test apparatus and its correlation with measurements made by a competent authority.
- 2.2.4. In all cases the reference methods shall be those of this Regulation, particularly for the purpose of administrative verification and sampling.
- 2.3. Nature of sampling
- Samples of lamps shall be selected at random from the production of a uniform batch. A uniform batch means a set of lamps of the same type, defined according to the production methods of the manufacturer.
- The assessment shall in general cover series production from individual factories. However, a manufacturer may group together records concerning the same type from several factories, provided these operate under the same quality system and quality management.
- 2.4. Measured and recorded photometric characteristics
- The sampled lamp shall be subjected to photometric measurements for the minimum values at the points listed in Annex 3 and the required chromaticity coordinates.
- 2.5. Criteria governing acceptability
- The manufacturer is responsible for carrying out a statistical study of the test results and for defining, in agreement with the competent Type Approval Authority, criteria governing the acceptability of his products in order to meet the specifications laid down for verification of conformity of products in paragraph 9.1. of this Regulation.
- The criteria governing the acceptability shall be such that, with a confidence level of 95 per cent, the minimum probability of passing a spot check in accordance with Annex 5 (first sampling) would be 0.95.

Annex 5

Minimum requirements for sampling by an inspector

1. General
 - 1.1. The conformity requirements shall be considered satisfied from a mechanical and a geometric standpoint, in accordance with the requirements of this Regulation, if any, if the differences do not exceed inevitable manufacturing deviations.
 - 1.2. With respect to photometric performance, the conformity of mass-produced lamps shall not be contested if, when testing according to paragraph 7. of this Regulation, the photometric performances as set forth in paragraph 6. of this Regulation of any lamp chosen at random:
 - 1.2.1. According to the requirements in paragraph 1.2.1. of Annex 4 to this Regulation are met.
 - 1.2.2. If, in the case of a lamp equipped with a replaceable light source and if results of the test described above do not meet the requirements, tests on lamps shall be repeated using another standard light source.
 - 1.2.3. Lamps with apparent defects are disregarded.
 - 1.3. The chromaticity coordinates shall be complied when tested under conditions of paragraph 7. of this Regulation.
2. First sampling

In the first sampling four lamps are selected at random. The first sample of two is marked A, the second sample of two is marked B.

 - 2.1. The conformity of mass-produced lamps shall not be contested if the deviation of any specimen of samples A and B (all four lamps) is not more than 20 per cent.

In the case, that the deviation of both lamps of sample A is not more than 0 per cent the measurement can be closed.
 - 2.2. The conformity of mass-produced lamps shall be contested if the deviation of at least one specimen of samples A or B is more than 20 per cent.

The manufacturer shall be requested to bring his production in line with the requirements (alignment) and a repeated sampling according to paragraph 3. below shall be carried out within two months' time after the notification. The samples A and B shall be retained by the Technical Service until the entire Conformity of Production process is finished.
3. First repeated sampling

A sample of four lamps is selected at random from stock manufactured after alignment.

The first sample of two is marked C, the second sample of two is marked D.
- 3.1. The conformity of mass-produced lamps shall not be contested if the deviation of any specimen of samples C and D (all four lamps) is not more than 20 per cent.

In the case, that the deviation of both lamps of sample C is not more than 0 per cent, the measurement can be closed.
- 3.2. The conformity of mass-produced lamps shall be contested if the deviation of at least:
 - 3.2.1. One specimen of samples C or D is more than 20 per cent but the deviation of all specimen of these samples is not more than 30 per cent.

The manufacturer shall be requested again to bring his production in line with the requirements (alignment).

A second repeated sampling according to paragraph 4. below shall be carried out within two months' time after the notification. The samples C and D shall be retained by the Technical Service until the entire Conformity of Production process is finished.

3.2.2. One specimen of samples C and D is more than 30 per cent.

In this case the approval shall be withdrawn and paragraph 5. below shall be applied.

4. Second repeated sampling

A sample of four lamps is selected at random from stock manufactured after alignment.

The first sample of two is marked E, the second sample of two is marked F.

4.1. The conformity of mass-produced lamps shall not be contested if the deviation of any specimen of samples E and F (all four lamps) is not more than 20 per cent.

In the case, that the deviation of both lamps of sample E is not more than 0 per cent, the measurement can be closed.

4.2. The conformity of mass-produced lamps shall be contested if the deviation of at least one specimen of samples E or F is more than 20 per cent.

In this case the approval shall be withdrawn and paragraph 5. below shall be applied.

5. Approval withdrawn

Approval shall be withdrawn according to paragraph 10. of this Regulation.
