



VCA Headquarters
1 The Eastgate Office Centre
Eastgate Road
Bristol, BS5 6XX
United Kingdom

Switchboard: +44 (0) 117 951 5151
Direct line: +44 (0) 117 952
Main Fax: +44 (0) 117 952 4103
Email: enquiries@vca.gov.uk
Web: www.vca.gov.uk

Our Reference: ESK206783

Date: 14 July 2009

THE UNITED KINGDOM VEHICLE APPROVAL AUTHORITY

TO WHOM IT MAY CONCERN

SUBJECT: RADIO INTERFERENCE SUPPRESSION (EMC) –
ECE REGULATION 10 as amended by the 02 series

MANUFACTURER: TRUCK-LITE

MODEL TYPE: 856/857 SERIES POSITION LAMPS

The attached technical construction file details the build specification for the 856/857 series lamps.

ECE Regulation 10 as amended by the 02 series, Annex 1 paragraph 6.8 gives various exceptions from obtaining Type Approval.

The Model 856/857 falls into the scope of these exceptions and does not require Type Approval under ECE Regulation 10.02.

European Community Whole Vehicle Framework Directive (2007/46/EC), Annex 4, Part 2, declares that ECE Regulation 10.02 is recognized as an alternative to EC Directive 72/245/EEC as amended, but any mandatory dates for compliance with later amendments must be respected.

A. W. STENNING
Head of Technical and Quality Group

VCA Midlands Centre
Nuneaton, Warwickshire, UK
Switchboard: +44 (0)247 632 8421
Fax: +44 (0)247 632 9276
Email: enquiries@vca.gov.uk

VCA Millbrook Centre
Millbrook, Bedford, UK
Telephone: +44 (0)1525 408466
Email: millbrook@vca.gov.uk

VCA North America
Northville, Michigan, USA
Switchboard: +1 248 4680151
Main Fax: +1 248 3499261
Email: general@vcana.com
Web: www.vcana.com

Ohio office
Ashland, Ohio, USA
Telephone: +1 419 207 8123
Fax: +1 419 207 1193
Email: c.gepper@vcana.com
Web: www.vcana.com

VCA East Asia
Naka-ku, Nagoya, Japan
Telephone: +81 52 683 8831
Fax from Europe: +44 (0) 870 125 3704
Fax from East Asia: +81 (0) 6 7500 1280
Email: enquiries@vca-asia.jp
Web: www.vca-asia.net

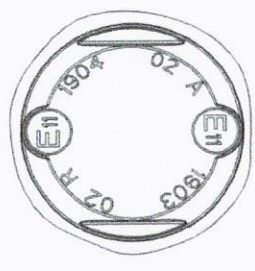
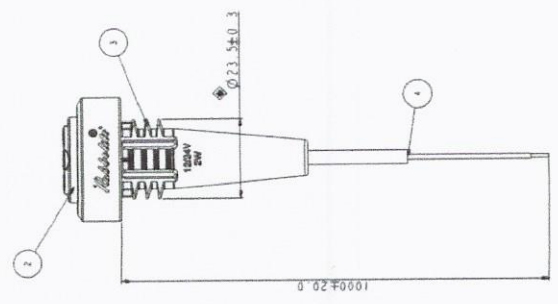
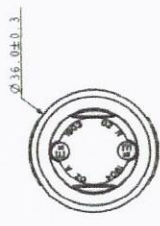
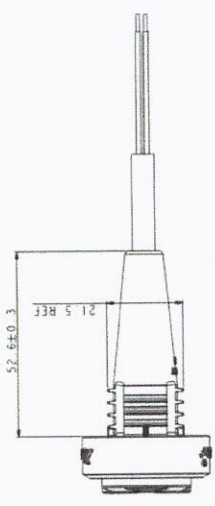
VCA Malaysia
Selangor, Malaysia
Telephone: +6 037 494 0221
or +6 037 494 4868
Fax: +6 037 494 0225
Email: paultownendvca@myjaring.net

VCA China
Beijing
Telephone: +8610 852 830 91/2/3
Fax: +8610 852 830 97



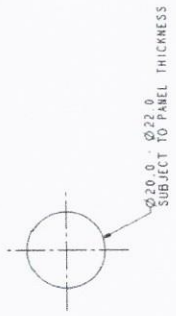
NOTE: ALL MODIFICATIONS TO THIS DRAWING MUST BE CARRIED OUT BY AN ENGINEER

THIRD ANGLE PROJECTION



SCALE 5:1
ECE APPROVAL MARK

PANEL PIERCING DETAIL



LAMP TO COMPLY WITH RTS 001-01
LAMP TO BE APPROVED TO ECE REG. 7

CHANGE NO.	DATE	BY	REASON
1	4-JUN-09		
ISSUE NO.			
CHANGE NO.			
ISSUE NO.			

DRAWN	A Cokebread	SCALE	2:1
CHECKED			
DATE	4-April-05		

ALL DIMENSIONS ARE IN MILLIMETRES AND ARE FOR REFERENCE ONLY
ORIGINATOR: A Cokebread

WIRING DIAGRAM

ALL LAMPS TO BE FUNCTION TESTED
VOLTAGE: 12V OR 24V, DUAL POLARITY

PARTS LIST

REF	PART NO.	DESCRIPTION	QTY	MATERIAL
1	88135	PCB ASSY, M856 & M857, FEOM	1	
2	88129	LENS, M856, FEOM	1	PMMA TO RMS 301 I C8
3	88132	HOUSING MOULDOVER, M857	1	PT No. 86158 - MACROMELT 6208
4	88788	HARNES ASSY, 2 CORE, LENGTH 990mm	1	

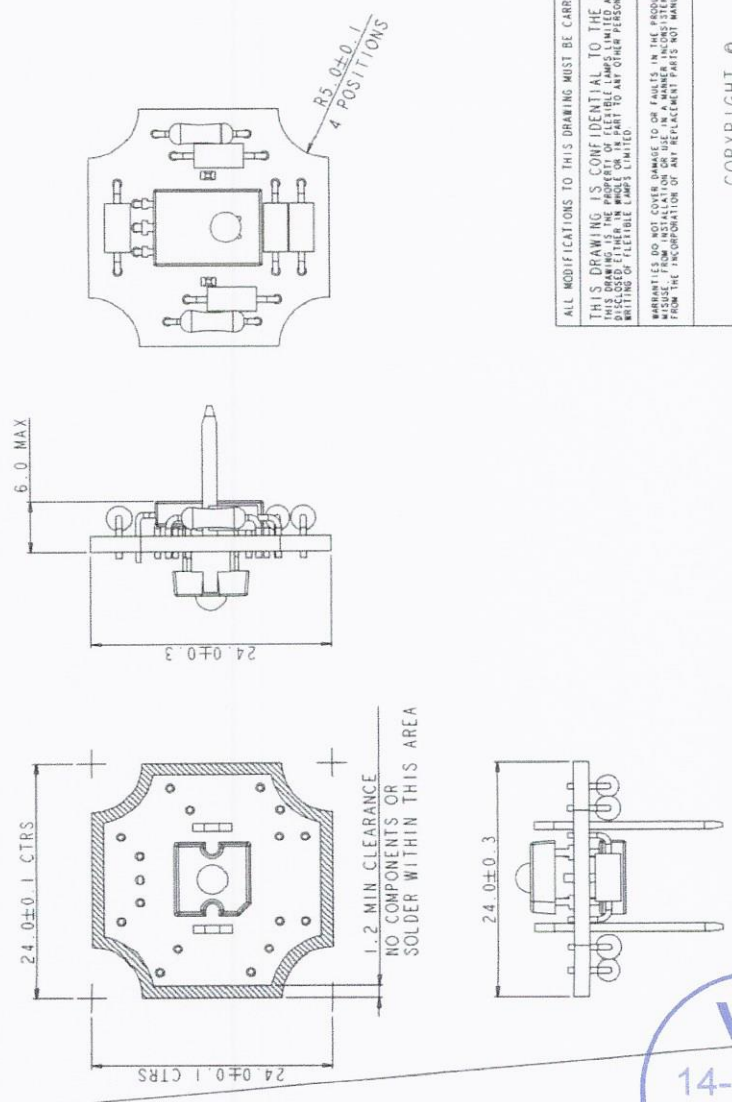
COPYRIGHT ©		DESCRIPTION	00 3007 REFERS
FLEXIBLE LAMPS LTD. HARLOW ESSEX CM19 5FA		LAMP ASSY, LED, FEOM, PU, 1000mm	SERIES No.
THIS DRAWING IS CONFIDENTIAL TO THE RECIPIENT		THIS PART MUST CONFORM TO RUBBOLITE SPECIFICATION 901.	857-01-09
THIS DRAWING IS THE PROPERTY OF FLEXIBLE LAMPS LIMITED AND IT IS NOT TO BE COPIED OR DISCLOSED EITHER IN WHOLE OR IN PART TO ANY OTHER PERSON WITHOUT THE CONSENT IN WRITING OF FLEXIBLE LAMPS LIMITED.		TOXIC AND HAZARDOUS MATERIALS CONTROL	ISSUE No.
			2



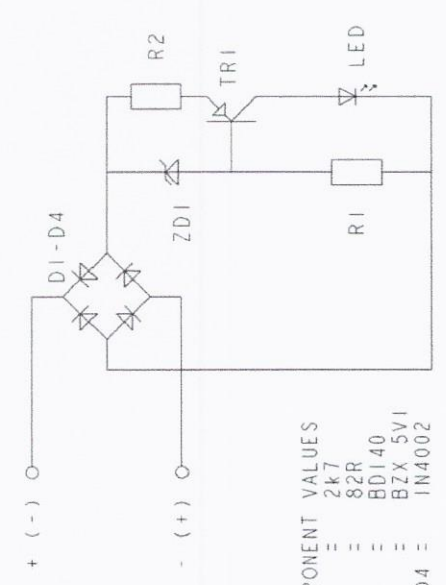
IF IN DOUBT ASK DO NOT SCALE UNLESS OTHERWISE STATED ALL DIMENSIONS ARE IN MILLIMETRES



1. Operating Current: 55mA±8mA
2. Operating Voltage range:
 - Absolute Minimum: 10V must deliver 50% of rated current to LED
 - Test Minimum: 13.5V full Rated current to LED (must withstand -40°C to +50°C)
 - Test Maximum: 28V full Rated current to LED (must withstand -40°C to +50°C)
 - Absolute Maximum: 34V must survive for max. 30 secs without permanent damage
3. LED device Piranha Type mounted central to PCB.
- 3a LED model no.: (COTCO) LP377THRI-70G or engineering approved equivalent.
- 3b Colour to be within and bounded by:
 - y<=0.335; z<=0.008 after 30 minutes.
- 3c Lumen output: 3.5 lumens min at 56mA after one minute.
4. Board material: FR4 1.6mm thick.
5. Functions as Dual Polarity.
6. Life expectancy of unit to exceed 10,000 hrs.
7. Terminal Pin 86087 x 2 off to be mounted on board for connection to underside of board.
8. LED to be mounted top side of board with all other components underside.
9. High temp solder, softening temperature above 250 deg C to be used for all components.



CIRCUIT DIAGRAM



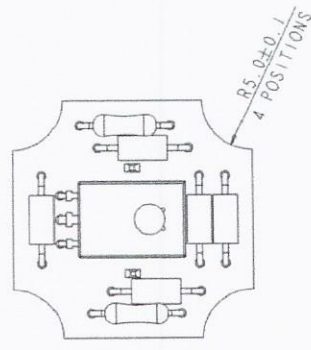
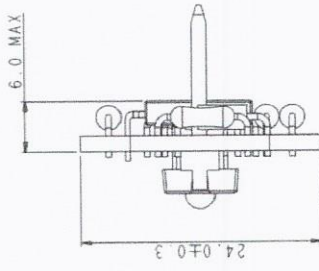
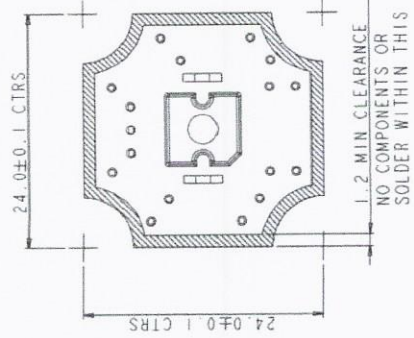
ALL MODIFICATIONS TO THIS DRAWING MUST BE CARRIED OUT ON PRO-ENGINEER THIS DRAWING IS CONFIDENTIAL TO THE RECIPIENT. IT IS NOT TO BE REPRODUCED, COPIED OR DISSEMINATED IN ANY MANNER WITHOUT THE WRITING OF FLEXIBLE LAMPS LIMITED. REPEAT USES NOT COVERED UNDER THIS AGREEMENT. FROM INSTALLATION ON USE IN A MANNER INCONSISTENT WITH OUR INSTRUCTIONS OR FROM THE INCORPORATION OF ANY REPLACEMENT PARTS NOT MANUFACTURED BY US.		MATERIAL FINISH	TOLERANCES DIMENSIONAL ANGULAR
DESCRIPTION PCB ASSY. M856 & M857, REOM THIS PART MUST CONFORM TO RUBBOLITE SPECIFICATION 001 TOXIC AND HAZARDOUS MATERIALS CONTROL SIZE SCALE PROJECT REF DRAWING NO 88134 AI 4:1 DD3007		DRAWN BY A. Corebread CHECKED DATE DATE 15-Dec-04	ORIGINATOR D. FULLER
COPYRIGHT © FLEXIBLE LAMPS LTD. HARLOW ESSEX CM19 5FA		SHEET 1/1 ISSUE CHANGE No 2 7773	



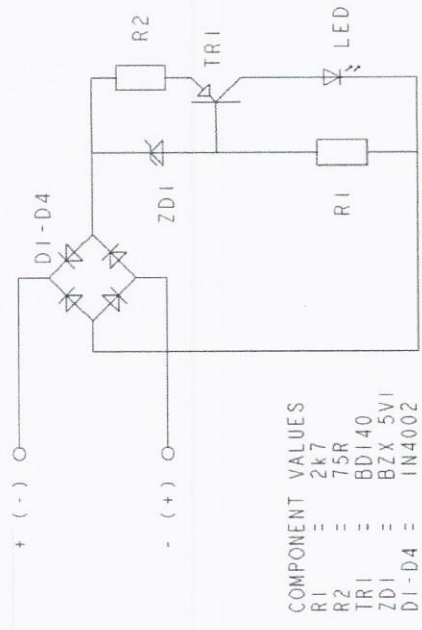
IF IN DOUBT ASK DO NOT SCALE UNLESS OTHERWISE STATED ALL DIMENSIONS ARE IN MILLIMETRES



- Operating Current: $61\text{mA} \pm 8\text{mA}$
- Operating Voltage range:
 - Absolute Minimum: 10V must deliver 50% of rated current to LED
 - Test Minimum: 13.5V full Rated current to LED (must withstand -40°C to $+50^\circ\text{C}$)
 - Test Maximum: 28V full Rated current to LED (must withstand -40°C to $+50^\circ\text{C}$)
 - Absolute Maximum: 34V must survive for max. 30 secs without permanent damage
- LED device Piranha Type mounted central to PCB.
- LED model no.: Zaiya Technology ZY-S6TWPE or engineering approved equivalent.
- Colour to be within and bounded by:
 - (x,y) : (0.31, 0.283) - (0.31, 0.35) - (0.44, 0.382) - (0.44, 0.433) - (0.44, 0.433) after 30 minutes.
 - Lumen output : 2.5 lumens min at 61mA after one minute.
- Board material: FR4 1.6mm thick.
- Functions as Dual Polarity.
- Life expectancy of unit to exceed 10,000 hrs.
- Terminal Pin 86087 x 2 off to be mounted on board for connection to underside of board.
- LED to be mounted top side of board with all other components underside.
- High temp solder, softening temperature above 250°deg C to be used for all components.



CIRCUIT DIAGRAM



ALL MODIFICATIONS TO THIS DRAWING MUST BE CARRIED OUT ON PRO/ENGINEER		MATERIAL	TOLERANCES DIMENSIONAL
THIS DRAWING IS CONFIDENTIAL TO THE RECIPIENT. IT IS TO BE KEPT UNLIMITED AND IS NOT TO BE COPIED OR DISCLOSED EITHER IN WHOLE OR IN PART TO ANY OTHER PERSON WITHOUT THE CONSENT IN WRITING OF FLEXIBLE LAMPS LIMITED.		FINISH	ANGULAR
WARRANTIES DO NOT COVER DAMAGE TO OR FAILURES IN THE PRODUCT RESULTING FROM ABUSE OR MISUSE, FROM INSTALLATION OR USE IN A MANNER INCONSISTENT WITH OUR INSTRUCTIONS OR FROM THE RECOMBINATION OF ANY REPLACEMENT PARTS NOT MANUFACTURED BY US.		DRAWN BY	D. FULLER
COPYRIGHT © FLEXIBLE LAMPS LTD. HARLOW ESSEX CM19 5FA		CHECKED	ORIGINATOR
PCB ASSY, M856 & M857, FEOM		DATE	15-Dec-04
THIS PART MUST CONFORM TO RUBBOLITE SPECIFICATION 001.101C AND HAZARDOUS MATERIALS CONTROL		DRAWING NO. 88135	
SIZE SCALE PROJECT REF		SHEET 1/1 ISSUE CHANGE No	
A1 4:1 D03007		2 7773	

