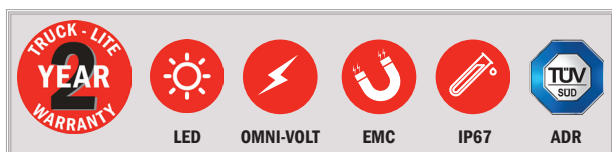




MODEL 891

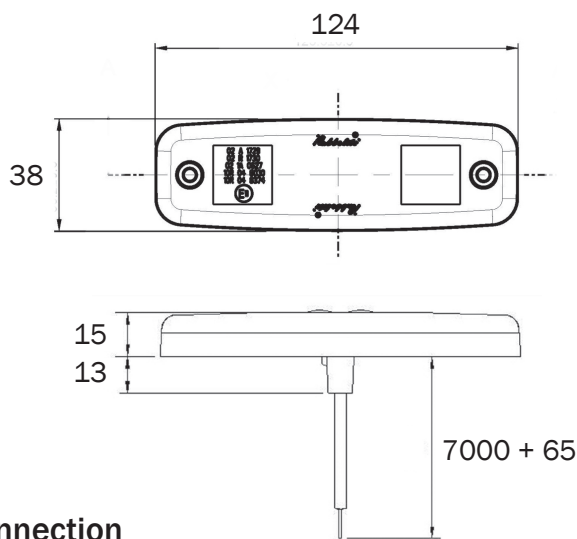
LED Marker Lamp Range



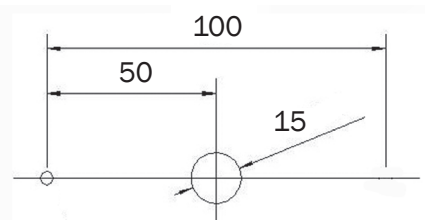
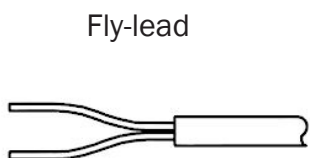
Main Features

- LED Sidemarker
- Fly-lead or Decas connector (See 890 range for superseal connection)
- Fully sealed lamp for extra protection

Dimensions:



Connection



891/03/04



891/02/04



891/01/04

Part No.	891/03/04
Light Source	LED
Voltage	Omni-volt - 12/24V
Dimensions	L 124 x H 38 x D 15/33 + connector
Housing	Polycarbonate
Lens	Polycarbonate
Mount/Fixings	Recommended: Panhead screw Ø8, 0.75Nm Max Torque
Connector	Fly-lead connector (0.5m - 7m)
Functions	Front, rear and side options
Warranty	2 Year
Approvals	ADR Approved, ECE, EMC
Testing	IP67
Application	Truck, Trailer, Off-road, Agricultural
Power	

Part Numbers

891/01/04 - Front LED marker lamp- 0.5m Fly-lead
 891/01/13 - Front LED marker lamp- 4.0m Fly-lead
 891/01/53 - Front LED marker lamp- 0.5m Fly-lead + SSF
 891/02/04 - Rear LED marker lamp- 0.5m Fly-lead
 891/02/09 - Rear LED marker lamp- 0.5m Fly-lead + SSF
 891/02/50 - Rear LED marker lamp- 5.0m Fly-lead

891/03/04 - Side LED marker lamp- 0.5m Fly-lead
 891/03/05 - Side LED marker lamp- 1.5m Fly-lead
 891/03/07 - Side LED marker lamp- 7.0m Fly-lead
 891/03/09 - Side LED marker lamp- 0.5m Fly-lead + SSF
 891/03/11 - Side LED marker lamp- 3.0m Fly-lead
 891/03/13 - Side LED marker lamp- 5.5m Fly-lead
 891/03/15 - Side LED marker lamp- 1.5m Fly-lead + SSF
 891/61/05 - Front LED marker lamp- 1.5m Decas

891/61/08 - Front LED marker lamp- 0.5m Decas
 891/61/12 - Front LED marker lamp- 1.0m Decas
 891/62/08 - Rear LED marker lamp- 0.5m Decas
 891/63/08 - Side LED marker lamp- 0.5m Decas
 891/63/09 - Side LED marker lamp- 1.5m Decas
 891/73/04 - Side LED marker lamp- 0.5m Decas + bracket
 891/73/05 - Side LED marker lamp- 1.5m Decas + bracket