

Technical Specification

REF: PML4

ISS: 3

Key Features

- Integral Reflex Reflector
- Varivolt Operation 9-33v
- Low Current Draw
- Clip In Design
- SuperSeal or Bracket Mounting

Technical Specification

Functions: Front | Rear | Side

Homologation: ECE

Voltage: Varivolt (9-33v)

Power Consumption: Side 1.2w,
Front 1.8w,
Rear 1.2w,

Connection: Cable 500mm

Fixing: M4 Screws

IP Rating: IP67 Hermetically Sealed

Material: Lens - PMMA | Housing - ABS

Temperature Range: -40°C to +50 °C

Part Numbers

SM50SS – FB – M50 Side Marker with Flush Bracket and SuperSeal connection
SM50SS – HB – M50 Side Marker with Pendant Bracket and SuperSeal connection
SM50W – FB – M50 Side Marker with Flush Bracket wired
SM50W – HB – M50 Side Marker with Pendant Bracket wired
RM50SS – 001 – M50 Rear Marker with Flush Bracket and SuperSeal connection
RM50W – 001 – M50 Rear Marker with Flush Bracket wired
FM50SS – 001 – M50 Front Marker with Flush Bracket and SuperSeal connection
FM50W – 001 – M50 Front Marker with Flush Bracket wired

See Also

M50 Markers

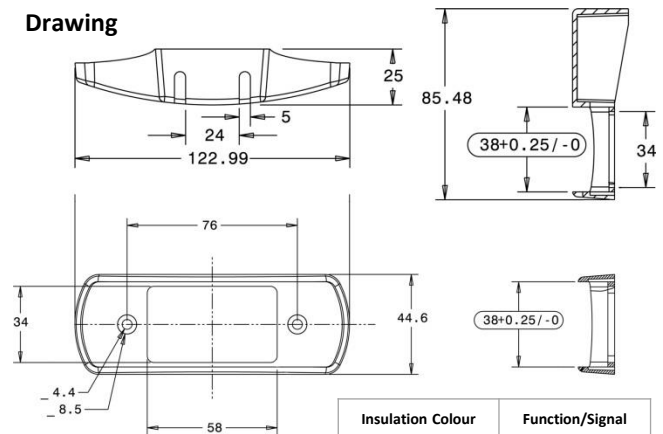


Overview

Varivolt Side, Rear, and Front Markers with a uniform design, ECE and IP67 approval. Clip in design gives a clean appearance with no visible fixings.

Flush mount or pendant bracket mount with SuperSeal or wired options.

Drawing



Insulation Colour	Function/Signal
Red (+VE)	Marker
Black (-VE)	Ground

www.perei.co.uk | sales@perei.co.uk | +44 (0) 1842 812290

Perei Group Limited | 36 Wimbledon Avenue | Brandon | Suffolk | IP27 0NZ | United Kingdom

Specifications herein are subject to change without notice

PEREI