



### Description

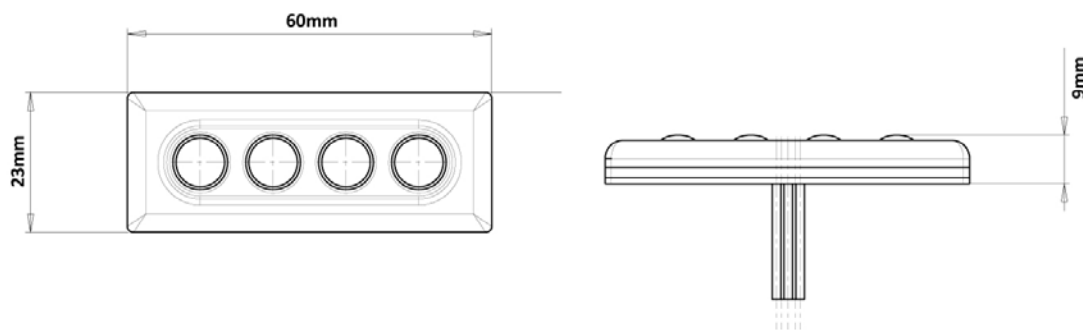
- 4 x Latest generation **CREE** LED
- 2 year warranty
- Ultra-thin moulded front face
- Available in split colour (left/right)
- IP66 seal
- 6 Flash patterns
- Low current draw
- Dual voltage (11v – 30v)

### Technical information

	EM355 / ML4
Voltage Range	11 - 30v DC
Max Current (12v)	400mA
Max Current (24v)	200mA
No. of LEDs (Cree)	4 (with optic)
Light output (Lumens)	141-488 lm
LED power (Watts)	4w
Weight (gram)	14g
Temp. Range	-40 to 105 °C
Approval	EMC

Flash Patterns	Mode 1 & 2
Mega-Flash	✓
Quad	✓
Triple	✓
Double	✓
Single	✓
Hyper	✓

### Dimensions



# MEGA-FLASH





## 'ML4' Datasheet

### Model / Version

The ML4 is available in various different models. The main functions are either **flashing** repeater, **stop/tail** or **indicator** lamp. Check the packaging before fitting to ensure you have the correct version.



[www.mega-flash.co.uk](http://www.mega-flash.co.uk)

**Model:**  Flasher  Stop/Tail  Indicator

Please Note: This product is pre-programmed from manufacture. This particular product is only available with the above marked function.

**Flasher Cables:**  Power 1 (+ve)  Power 2 (+ve)  Earth (-ve)  
 Pattern (+ve)  Sync (if fitted)

**Stop/Tail Cables:**  Tail (+ve)  Stop (+ve)  Earth (-ve)

**Indicator Cables:**  Indicator (+ve)  Earth (-ve)

**Fixing Instructions:**

- 1 Find a suitable **flat location**. Please Note: The surface must be completely flat. Deviation from this guideline may result in product failure.
- 2 Thoroughly **clean the surface** removing any dirt and/or grease.
- 3 Drill a cable entry hole measuring a minimum of 7mm diameter.
- 4 Remove the protecting sheet (exposing the rear adhesive pad) and place the cables through the drilled cable entry.
- 5 Firmly fix the lamp in place by applying reasonable pressure to the surface area of the product to adhere to the bodywork of the vehicle.
- 6 Each lamp can draw up to 400mA (per unit) and should therefore be fused appropriately depending on the number of units being installed.

The product has additional features to those mentioned above. For further information please contact manufacturer for a full datasheet.

### Installation ('Flasher' version)

**STANDARD PRESET FUNCTION**

**OPTION 1 (Each ML4 flashes left/right alternately)**

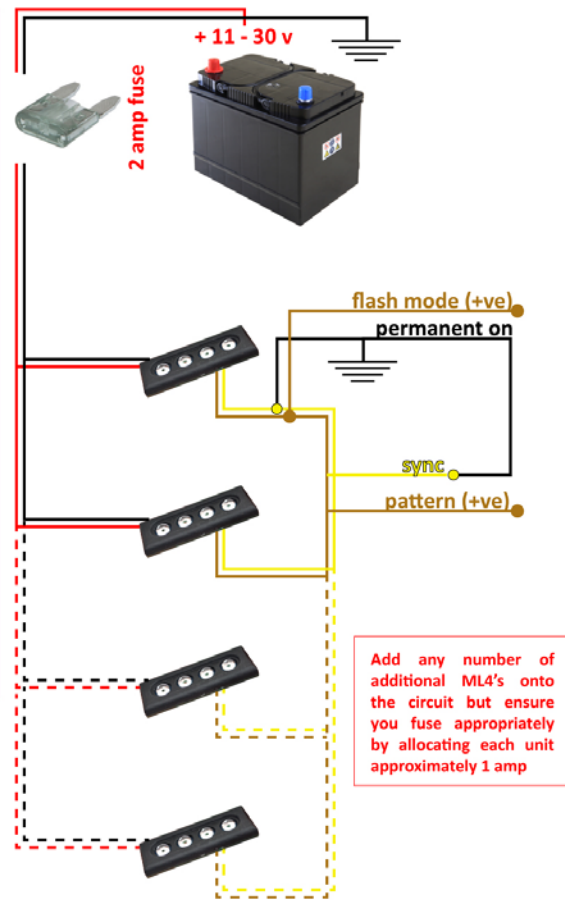
**OPTION 2 (Each ML4 flashes simultaneously)**

1. Power the 2 x orange cables to +ve (positive) and black cable to -ve (negative).
2. Apply yellow cable to -ve (negative)
3. Apply brown cable to +ve (positive) for 5 seconds. The ML4 will de-power and then start flashing.
4. Remove brown cable from +ve. Remove yellow cable from -ve.
5. Power 2 x orange & 2 x red cables to +ve. Both lamps will flash simultaneously.

**OPTION 3 (Whole lamp alternate flash)**

6. Complete steps 1 to 4 above.
7. On 2nd lamp (only) power orange & red cables to +ve and black cable to -ve.
8. Apply yellow cable to -ve (negative)
9. Apply brown cable to +ve (positive) for 5 seconds. The ML4 will de-power and then start flashing.
10. Remove brown cable from +ve. Remove yellow cable from -ve.
11. Power 2 x orange & 2 x red cables to +ve. Both lamps will flash alternately.

**OPTIONAL FEATURE**



# MEGA-FLASH

