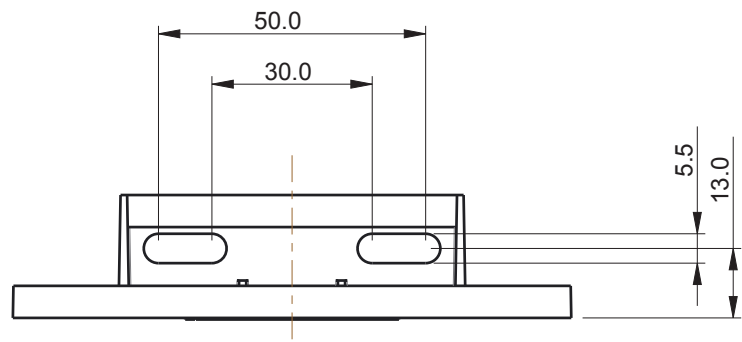
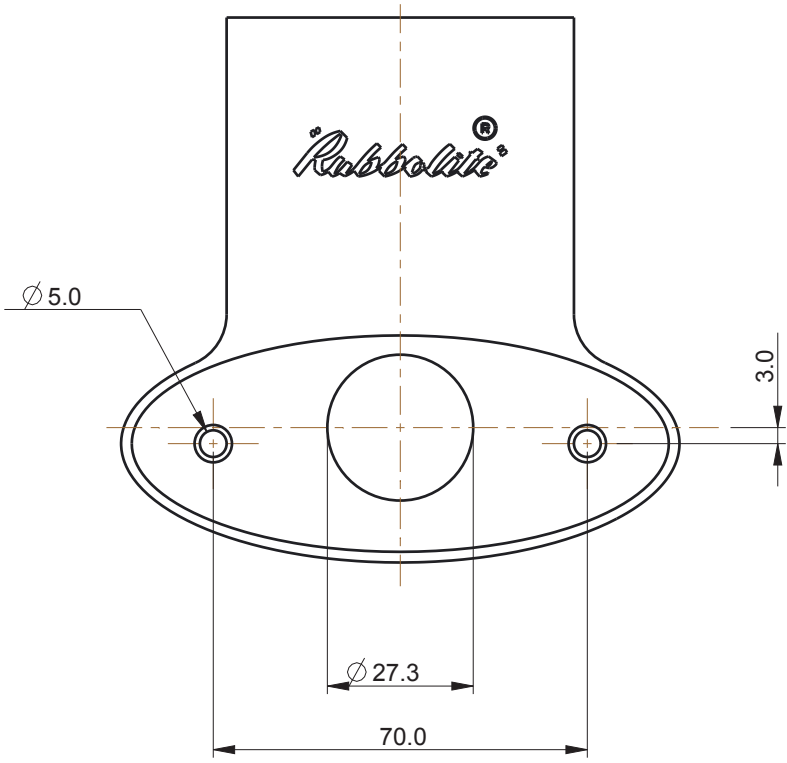
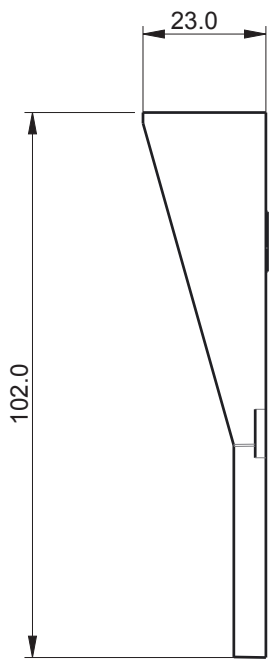
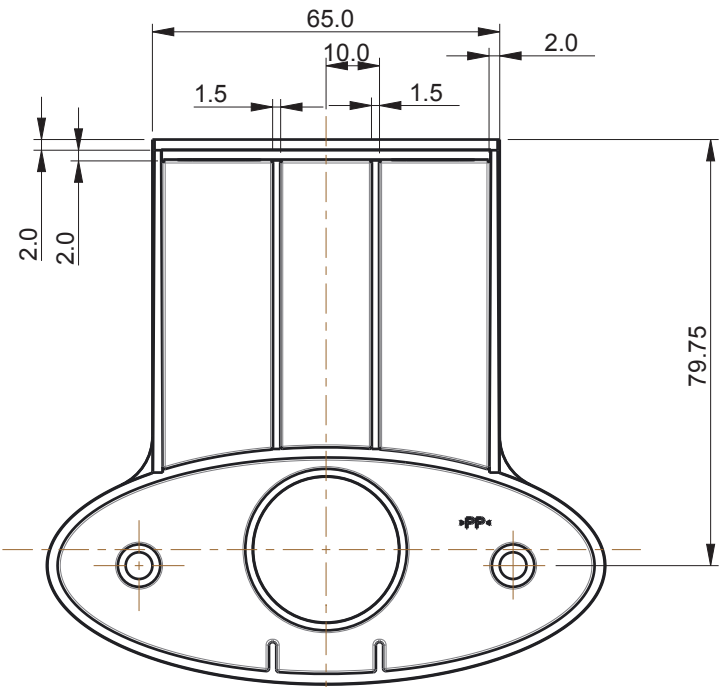
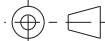


1 2 3 4 5 6 7 8 9 10 11 12 13 14 15 16
 IF IN DOUBT ASK DO NOT SCALE UNLESS OTHERWISE STATED ALL DIMENSIONS ARE IN MILLIMETRES

THIRD ANGLE PROJECTION



06-01-06	8212	1
28-11-05	1384D	A
DATE	CHANGE No.	REV

ALL MODIFICATIONS TO THIS DRAWING MUST BE CARRIED OUT ON Pro/ENGINEER

THIS DRAWING IS CONFIDENTIAL TO THE RECIPIENT
 THIS DRAWING IS THE PROPERTY OF FLEXIBLE LAMPS LIMITED AND IT IS NOT TO BE COPIED OR DISCLOSED EITHER IN WHOLE OR IN PART TO ANY OTHER PERSON WITHOUT THE CONSENT IN WRITING OF FLEXIBLE LAMPS LIMITED.

WARRANTIES DO NOT COVER DAMAGE TO OR FAULTS IN THE PRODUCT RESULTING FROM ABUSE OR MISUSE, FROM INSTALLATION OR USE IN A MANNER INCONSISTENT WITH OUR INSTRUCTIONS OR FROM THE INCORPORATION OF ANY REPLACEMENT PARTS NOT MANUFACTURED BY US.

MATERIAL		TOLERANCES DIMENSIONAL	
PP TO RMS 304 1 B1		0 ±0.3	
FINISH		0.0 ±0.2	
COLOUR: BLACK		0.00 ±0.1	
DRAWN BY J Lane		DATE	28-Nov-05
CHECKED		DATE	
DESCRIPTION		ORIGINATOR	
BRACKET, HORIZONTAL		D Fuller	

COPYRIGHT ©
 FLEXIBLE LAMPS LTD.
 HARLOW ESSEX CM19 5FA



THIS PART MUST CONFORM TO RUBBOLITE SPECIFICATION 001: TOXIC AND HAZARDOUS MATERIALS CONTROL

SIZE	SCALE	PROJECT REF	DRAWING NO.	SHEET 1/1	ISSUE	CHANGE No
A3	1:1	DD3404	89227		1	8212